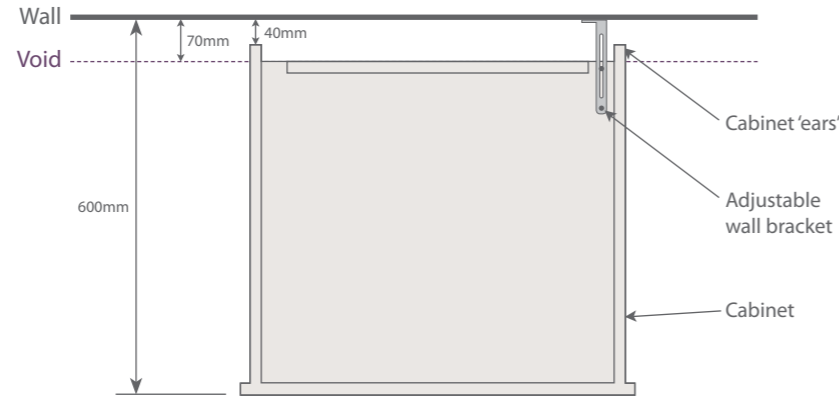


Base & Full Height Cabinets Explained

Standard depth :
Base cabinets are set at 600mm from the wall as standard. Full Height cabinets can be set from 600mm to 725mm from the wall.

Standard height :
Base cabinets are set 920mm tall including 30mm work surface. Full height cabinets are set at 2220mm tall including cornice.

Void :
The maximum void (70mm) that can be achieved by cutting back the cabinet 'ears'.



Cabinet 'ears'

At the back of each cabinet there are 30mm 'ears' that project out to the rear. This allows for a robust construction process. These "ears" are removable where you have services that require extra space.



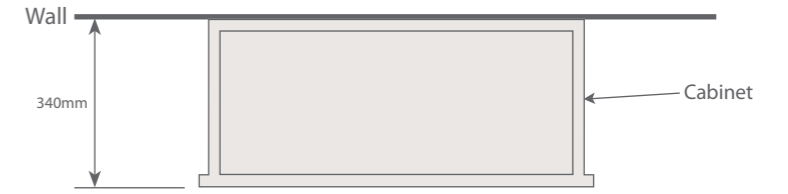
Adjustable feet

Stainless steel feet are easily adjusted, with holes to allow fixing to floor. Built to last as long as the kitchen and carry any load.

Wall Cabinets Explained

Standard depth :
Wall cabinets are set at 340mm from the wall as standard.

Standard height :
Wall cabinets are set 450mm above a work surface as standard giving a total height of 2220mm including cornice from the floor.



Wall Fixing

Our wall units are 340mm deep as standard to allow storage of most dinnerware. On the back face, at the top of each cabinet, is a horizontal batten. When fitting, this enables you to position your wall battens exactly level, prior to positioning the cabinet batten snugly above, before fixing to the wall.

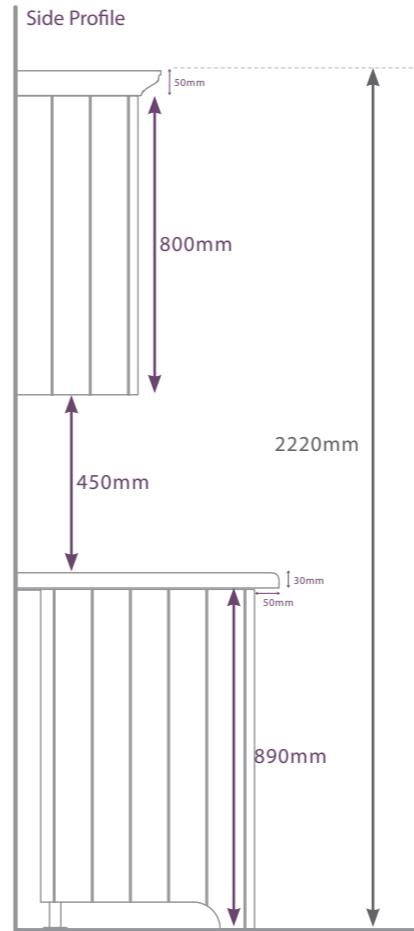
Full Height Cabinet Standard Depth **725mm inc. 125mm void**
Base Cabinet Standard Depth **600mm inc. 40mm void**

Base Cabinet Standard Height **890mm**

Full Height Cabinet Standard Height **2220mm inc. cornice**

Front Feet

Our fully framed cabinets have proper front feet for the highest quality look. These are easily adjusted to floor variations by sanding.



Wall Cabinet Standard Depth **340mm**

Wall Cabinet Standard Height **800mm**

Wall batten

End panels

The side cheeks allow for end panels to be fitted. These end panels fit into the cheeks behind the front face and are secured through the rim at the top and bottom of each cabinet.